

The image features a background of various wood panel samples in different colors and finishes, including light oak, medium oak, and dark wood. A white rectangular frame is centered over the image, containing the brand name 'LUXE' in a large, white, serif font, with 'WOOD PANELS' in a smaller, white, sans-serif font below it.

LUXE

WOOD PANELS

SLATPANEL TECHNICAL SHEET

+1 786.457.9601

Luxewoodpanels@gmail.com

Luxewoodpanels.com

Installation Instructions



Dimensions

Made from veneered laminated PVC film placed on a crafted solid pinewood backing, these slatted wood wall panels are built to last.

Info:

Each box contains (12) twelve panels with 1 edge, 1 corner. Each panel measures 5.79" W x 9' H. These panels will join next to each other seamlessly.

Each box covers:

Box: 12 pieces per box, 1 corner, 1 edge

Panel: 5.79" Width X 9.02' Height

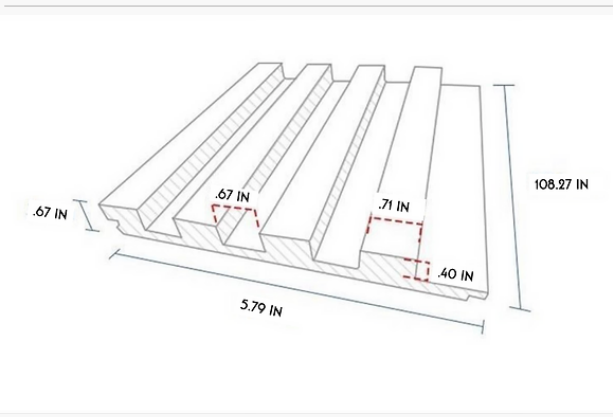
Edge: 1.625" Width X 9.02' Height

Corner: 0.75" Width X 9.02' Height

Total coverage: 54 SQFT per box (including edge & corner)

Material: 100% Pinewood

Finish: PVC Film



Care and maintenance

- **Interior use only.**

- Light cleaning products perfect as it protects and keeps the natural look and feel of the panels. Once installed, light dusting or hovering will prevent any dust build-up. A dry cloth can be used to wipe the panels down.

How to cut

We recommend using a miter saw with a fresh blade designed to make "fine" cuts, to cut through the individual panels to your desired length.

For ALL installations we recommend measuring the heights for every 6 inches. Flooring and ceiling height will always differ throughout any given project. Measure twice, and confirm lengths before making your cuts. Always exercise proper safety precautions.

How to install Slat panel

There are two different options for installation:

1. Gluing straight onto the wall:

A construction glue or liquid nail adhesive is recommended for this.

- Recommended for non textured panels.
- Apply adhesive throughout the back of the wood panel.
- Immediately place on wall and hold for 30 sec.

2. Nail directly into the wall:

A construction nail gun is recommended for this.

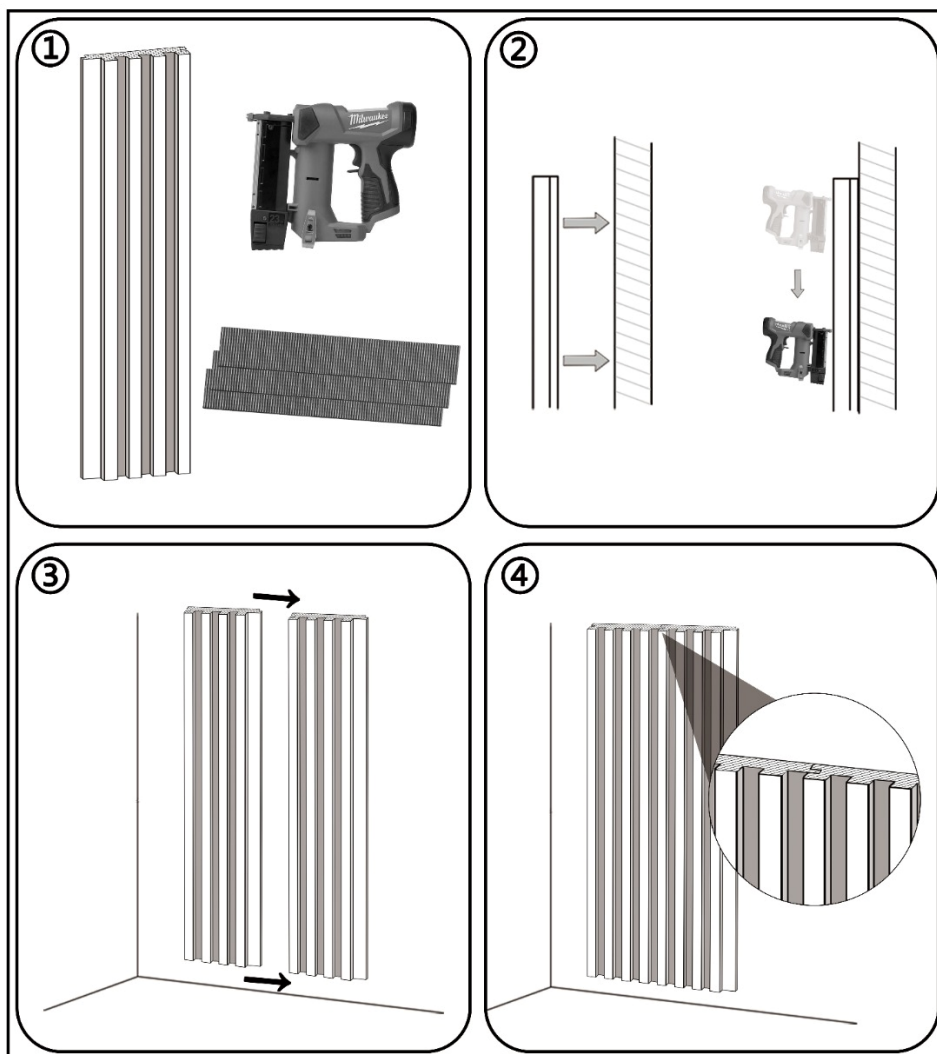
Using 23 Gauge nail gun for reduced visibility. Maximum nail size recommended 18 Gauge.

- Recommended for wood textured panels.
- Apply nail at an angle on the inner slat seem to reduce visibility.
- Add nails throughout for maximum support.

Step 1 & 2 are recommended to use together for best results.

Technical drawings

Figure 01:





www.Luxewoodpanels.com